

Type : ESNET-00
Manufacturer : ESNET OTOMOTIV

Test Report

ADR 2017

European Agreement Concerning the International Carriage of Dangerous Goods by Road

ADR 2017

(item 6.8.2.1.2)

Approval status	
<input checked="" type="checkbox"/>	Granting of test report only ⁽¹⁾
<input type="checkbox"/>	Extension to type approval no. / test report only ⁽¹⁾ ...
<input type="checkbox"/>	Correction to type approval no. / test report only ⁽¹⁾ ...
⁽¹⁾ Delete where not applicable	

Type : ESNET-00
Manufacturer : ESNET OTOMOTIV

0. General

- 0.1. Make (trade name of manufacturer) : ESNET OTOMOTIV
- 0.2. Type : ESNET-00
- 0.2.1. Commercial description : ESNET1002, ESNET1500, ESNET1300,
ESNET1310, ESNET1309, ESNET1091,
ESNET1301, ESNET1102
- 0.4. Category of vehicle : Not Applicable
- 0.5. Manufacturer's name and address : Esnet Otomotiv İnşaat Makine ve San. Tic. Ltd. Şti.
Fevzi Çakmak Mah. Ahmet Petekçi cad. D blok 5D
Karatay / Konya / Turkey
- 0.6. Information document : Not Applicable
- No. :
- Date of issue :
- Date of last change :
- 0.8. Name and address of assembly plant : Esnet Otomotiv İnşaat Makine ve San. Tic. Ltd. Şti.
Fevzi Çakmak Mah. Ahmet Petekçi cad. D blok 5D
Karatay / Konya / Turkey
- 0.9. Name and address of manufacturer's representative : Not Applicable
- 0.10. Location of approval mark : Not Applicable
(where applicable)

Type : ESNET-00
Manufacturer : ESNET OTOMOTIV

For ESNET1309

Material : St-37 and Spheroid Casting (Alloy material)
Dimensions : See Annex II (Drawing of components)
Maximum Permissible mass for twist lock : 34.000 kg

For ESNET1091

Material : St-37
Dimensions : See Annex II (Drawing of components)
Maximum Permissible mass for twist lock : 34.000 kg

For ESNET1301

Material : Steel Casting
Dimensions : See Annex II (Drawing of components)
Maximum Permissible mass for twist lock : 34.000 kg

For ESNET1102

Material : St-52
Dimensions : See Annex II (Drawing of components)
Maximum Permissible mass for twist lock : 34.000 kg

1.3 Remarks : None

Type : ESNET-00
Manufacturer : ESNET OTOMOTIV

2. Test Record

2.1 Test Conditions

2.1.1 Parameter of the test area : Test Area weather condition;
22 °C
68% Humidity

2.1.2 Equipment for measuring and testing :

Equipment	Serial or Certificate No.	Calibration due
Manometer	R18F295	03.2019
Manometer	R18F293	03.2019
Manometer	R18F296	03.2018
Tape Measure	GCS-TM01	01.2019
Caliper	GCS-VC01	01.2019

Type : ESNET-00
 Manufacturer : ESNET OTOMOTIV

Test Results For ESNET1102

6.8.2.1.2 Vertical Upwards

Pulling force is applied as the total mass. ⁽¹⁾	Required Value	Applied Value	:	Yes
	85 kN	130 kN		

6.8.2.1.2 Vertical Downwards

Compression force is applied as twice the total mass. ⁽¹⁾	Required Value	Applied Force	:	Yes
	170 kN	176 kN		

6.8.2.1.2 Horizontally to the Direction of Travel

The test load is applied as twice the total mass ⁽¹⁾	Required Value	Applied force	:	Yes
	170 kN	178 kN		

6.8.2.1.2 In the Direction of travel

The test load is be applied as twice the total mass. ⁽¹⁾	Required Value	Applied Force	:	Yes
	170 kN	181 kN		

P.S:

⁽¹⁾ 4 twist locks are used together for a tank-container. For this reason, test mass is divided with 4 for the load calculation.

Type : ESNET-00
Manufacturer : ESNET OTOMOTIV

2.3. Other information

Place of testing : Manufacturer Area / Konya / Turkey
Date of testing : 30 March 2018
GCS representative : Yavuz Yazgan
Manufacturer's representative: : Hüseyin Gedik

2.4. Remarks : 1) Materials test were not conducted on the test samples.

3. Appendices

1. Technical Drawings
2. Photographs after the test

Type : ESNET-00
Manufacturer : ESNET OTOMOTIV

4. Statement of conformity

The type described with the information documents is in compliance with the Test Specification mentioned above.

The Test Report comprises pages 1 to 15.

The Test Report shall be reproduced and published in full only and by the client only. It shall be reproduced partially with the written permission of the Test Laboratory only.

TEST LABORATORY

GCS TEST LTD (EOD)

designated by accreditation authority of Kraftfahrt-Bundesamt,
Federal Republic of Germany

No: KBA-P 00103-18

Signature:

Expert Signature:

Conformity Checked by:



Name:

Yavuz Yazgan

Cem Türkmen

Position:

Type Approval Engineer

Type Approval Engineer

Date:

02 April 2018

02 April 2018

Place:

İstanbul

İstanbul



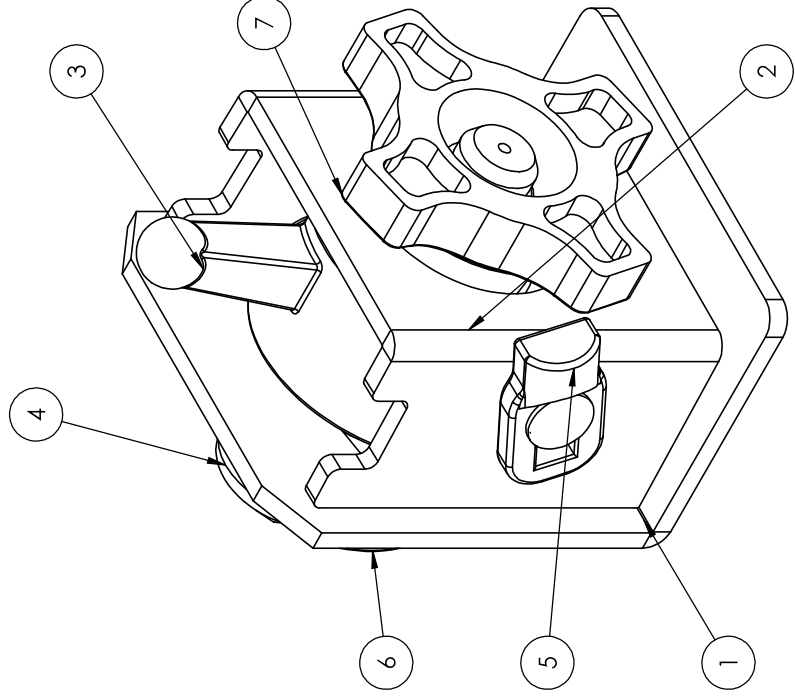
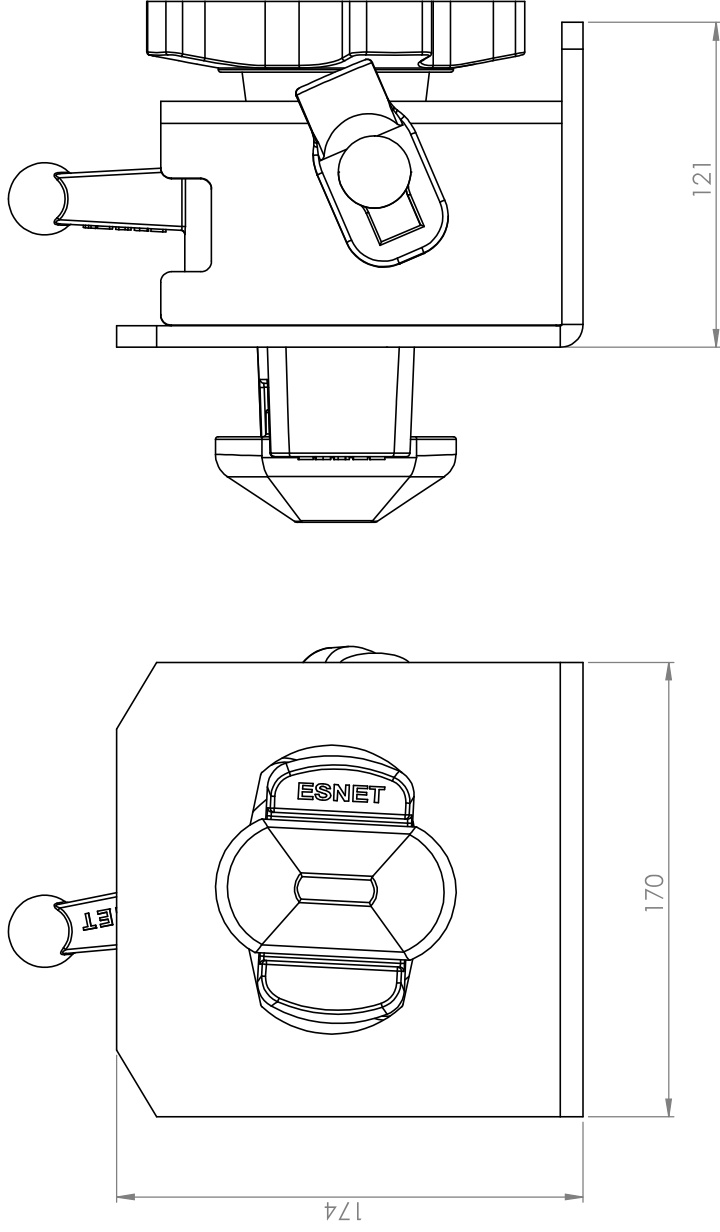
GCS TEST LTD (EOD)

Studentski Grad District Prof. Rasho Rashev Street No:4
2nd Floor, Office 14 Sofia 1700 / BULGARIA

Phone : + 359 2 440 00 84

Fax : + 359 2 427 80 01

e-mail: info@gcs-lab.com



AKIŞI BELİRTİLMEDİĞİ SÜRECE: BOYUTLAR MİLMİMETREDİR YÜZEY ÇILASI: TOLERANSLAR: ÇOKLUĞAL: AÇIKSAL:		BİTİRME:		KESKİN KENARLARI PAHLA YATIN VE KIRIN		TEKNİK RESİM ÖLÇEKLERİNİN REVİZYON	
ÇİZEN	İSİM	İMZA	TARİH	BAŞLIK:			
DENET.	Hüseyin Gedik		12.02.2018	ESNET102			
ONAY.	Hüseyin Gedik		12.02.2018	RESİM NO:			
ÜRET.	Şevki Gedik		12.02.2018	ESNET08-2018-001			
KALİTE				RESİM NO:			
				A3			
				MALZEME:			
				AĞIRLIK:			
				ÖLÇEK:			
				SAYFA /			

ESNET1102

